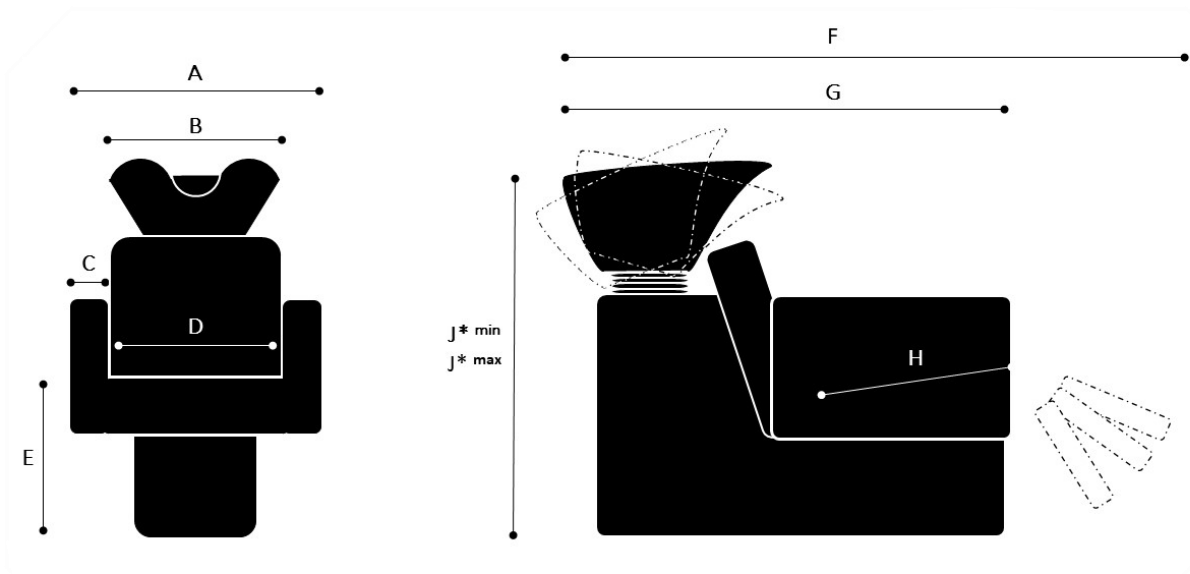


Product Information Sheet

Lift Mr Mo



Please note that our warranty is limited in case of incorrect installation. Incorrect installation will be assumed when installation has taken place without Welonda installation set. Order details of the installation sets are to be found in the pricelist washunits accessories

Measures

| | | | |
|----------|------|--------------|-------|
| A | 60cm | F | 130cm |
| B | 55cm | G | 122cm |
| C | 5cm | H | 49cm |
| D | 42cm | J*min | 90cm |
| E | 47cm | J*max | 106cm |

Packaging



120cm x 75cm x 120cm (Length x Height x Depth)

Photos, 2D/3D drawings : www.welonda.com → distributors log-in

Garantee: 5 years on construction and rust

Intrastatcode: 94021000

welonda